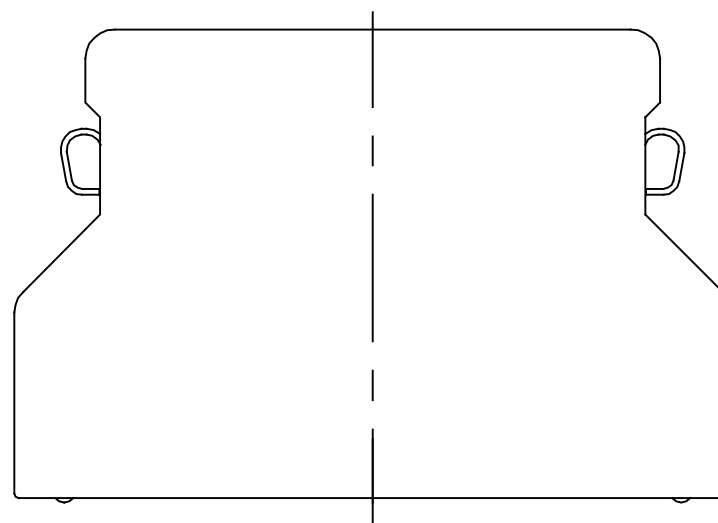
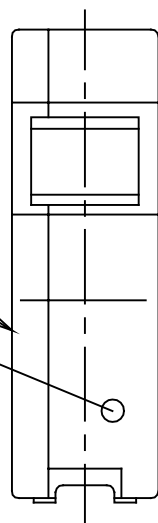
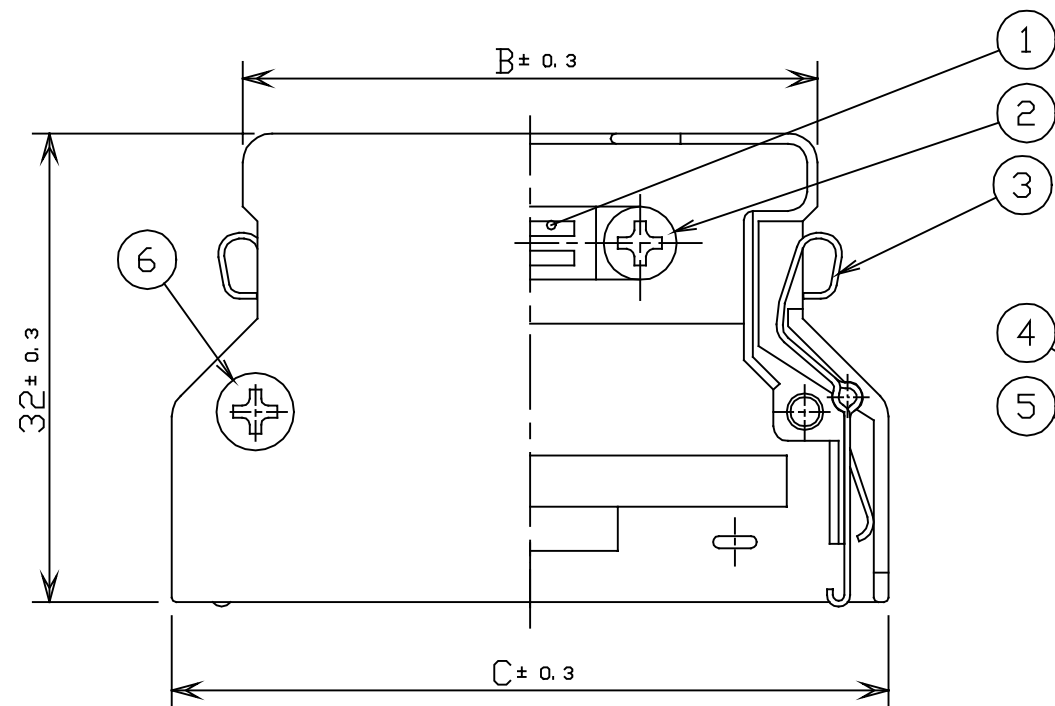
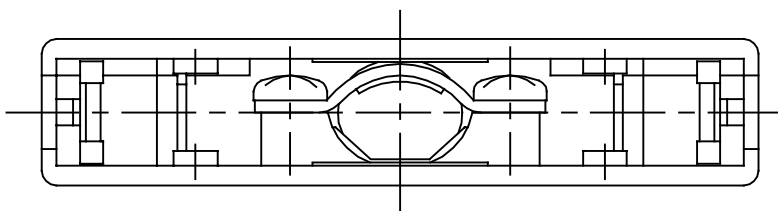


20, 28POS.

-20LC



HONDA
PRINT RM
7. APR. 1997
ISSUED



PCS-E68LA	68	8.5x7.5	50.6	60.3	ø8.1
PCS-E50LA	50	8.5x7	39.2	48.9	ø7.3, ø8
PCS-E36LA	36	9.5x8	30.5	40.2	ø8.4, ø9
PCS-E28LB	28	9.5x8.5	25.3	35.0	ø9
PCS-E28LA		6.5x5			ø5.5, ø5.9
PCS-E20LC	20	10.3x8.5	20.3	30.0	ø8.7+ø4.3
PCS-E20LB		8x7			ø7.5
PCS-E20LA		6x5			ø5.5
PART NO.	NO. OF PCS.	A	B	C	APPLICABLE CABLE Ø. D.
DIMENSIONS					

6	FLAT HEAD SCREW	STEEL	2	NICKEL PLATING	M2.5
5	COVER A	ZINC ALLOY	1	NICKEL PLATING	---
4	COVER B	ZINC ALLOY	1	NICKEL PLATING	---
3	SPRING LOCK	STAINLESS STEEL	2	---	---
2	PAN HEAD SCREW	STEEL	2	NICKEL PLATING	M2.5
1	CABLE CLAMP	STAINLESS STEEL	1	---	---

LTR.	DATE	BY	REV.	DESCRIPT	NO.	PART NAME	MATERIAL	QTY	FINISH	NOTE
	4. APR. 1997		2 / 1							
						HONDA TSUSHIN KOGYO., LTD.				
DR.	DE.	CHK.	CHK.	APP.	NAME		PCS-E TYPE CABLE COVER			
						PART NO.	PCS-E()L()			