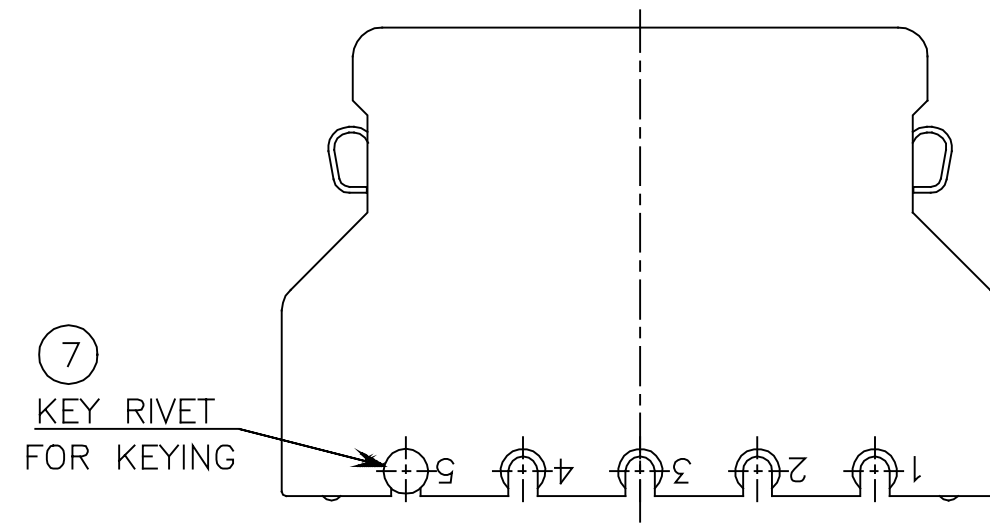
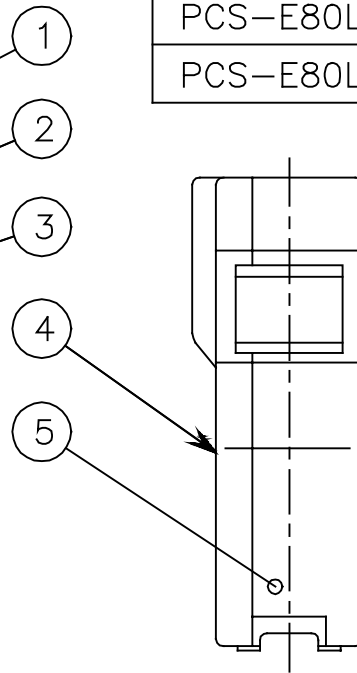


PART NO.	NO. OF POS.	DIMENSIONS				CABLE OUTSIDE DIMENSION	STANDARD KEY POS.(4 TYPES)
		A	B	C	D		
PCS-E36LKPA-( )	36	10x11	30.5	40.2	11.6	ø8	1D,2C,3B,4A
PCS-E36LKP B-( )		10x11	30.5	40.2		ø10.5	
PCS-E50LKPA-( )	50	10x12	39.2	48.9		ø10	1E,2D,4B,5A
PCS-E68LKPA-( )	68	10x13	50.6	60.3		ø12	1E,2D,4B,5A
PCS-E68LKP B-( )		10x13	50.6	60.3	ø10		
PCS-E80LKPA-( )	80	10x10	58.2	67.9	15.0	9	1E,2D,4B,5A
PCS-E80LKP B-( )		15x13.6				ø13	



PART NO.

1.WITH KEYING

THE UNDERLINED SECTION AT THE END OF PART NUMBER IS FILLED WITH 4 KINDS OF THE STANDARD KEY POSITION CODES.

EXAMPLE: PCS-E(NO. OF POS.)LKP<sub>A</sub>B -1E

2.WITHOUT KEYING

PCS-E(NO. OF POS.)LKP<sub>A</sub>B



LTR.	DATE	BY	REV.	DESCRIPT	NO.	PART NAME	MATERIAL	QTY	FINISH	NOTE
					7	KEY RIVET	BRASS	n	NICKEL PLATING	P/N: PCS-E-PK
					6	øFLAT HEAD SCREW	STEEL	2	NICKEL PLATING	M2.5
					5	COVER A	ZINC ALLOY	1	NICKEL PLATING	---
					4	COVER B	ZINC ALLOY	1	NICKEL PLATING	---
					3	SPRING LOCK	STAINLESS STEEL	2	---	---
					2	øPAN HEAD SCREW	STEEL	2	NICKEL PLATING	M2.5
					1	CABLE CLAMP	STAINLESS STEEL	1	---	---

DATE	SCALE	UNIT	3RD . A . P	HONDA TSUSHIN KOGYO., LTD.						
NOV.26.1999	2/1	mm(INCH)		DR	DE	CHK	CHK	APP	NAME	PCS-E TYPE CABLE COVER WITH KEYING & WITHOUT
									PART NO.	PCS-E( )LKP <sub>A</sub> <u>B</u> -( )
										REV.

PCS-E(LKPA-B) E