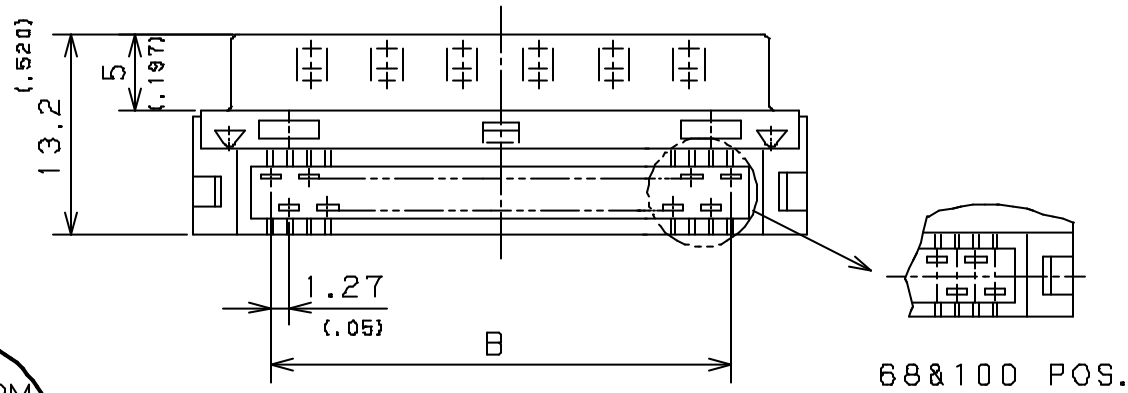
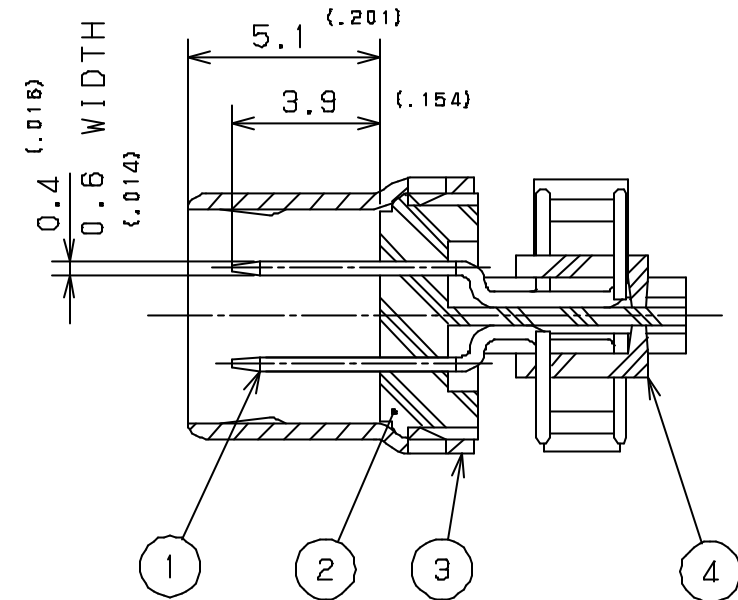
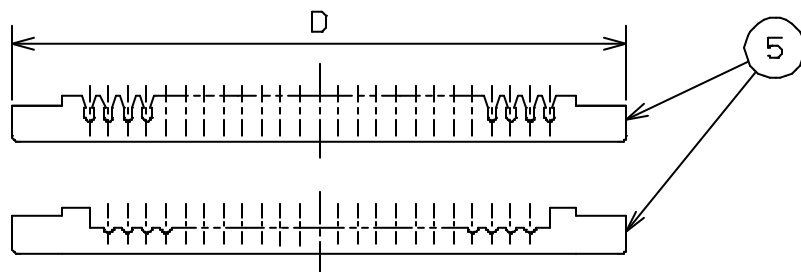
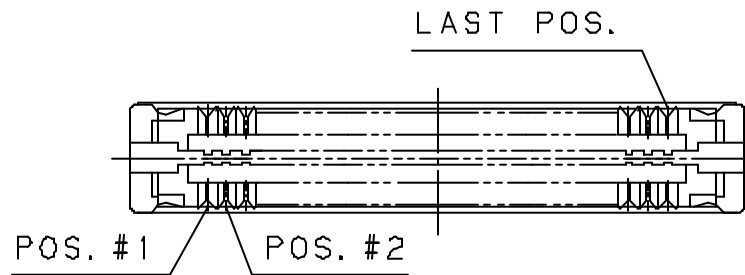


NOTE 1. CONTACT FINISH
GOLD (0.20 μm MIN.) ON
MATING AREA, TIN/LEAD
ON TERMINATION AREA,
ALL OVER NICKEL
UNDERPLATED.



HONDA
PRINT RM
MAR. 28. 1997
ISSUED



FOR DISCRETE WIRE

FOR FLAT CABLE

PART NO.	CABLE CHARACTERISTICS
PCS-XE () M	FOR DISCRETE WIRE #28AWG (7/0.127) O. D. : 0.8~1.0mm ▲ #30AWG (1/0.254)
PCS-XE () MA	FOR DISCRETE WIRE #28AWG (7/0.127) O. D. : 0.5~0.65mm ▲ #30AWG (1/0.254)
PCS-XE () MB	FOR DISCRETE WIRE #30AWG (7/0.1) O. D. : 0.5~0.65mm
PCS-XE () MC	FOR FLAT CABLE #28AWG (7/0.127) THICKNESS: 1mm MAX. ▲ #30AWG (1/0.254)
PCS-XE () ME	FOR FLAT CABLE #30AWG (7/0.1) THICKNESS: 1mm MAX.
PCS-XE () MJ	FOR DISCRETE WIRE #28AWG (7/0.127) O. D. : 0.85~0.8mm ▲ #30AWG (1/0.254)
PCS-XE () MK	FOR DISCRETE WIRE #30AWG (7/0.1) O. D. : 0.65~0.8mm
▲ PCS-XE () MQ	FOR DISCRETE WIRE #30AWG (7/0.1) O. D. : 0.8~1.0mm

PART NO.
PCS-XE50MA

NO. OF POS.
CABLE CHARACTERISTICS

PART NO.	NO. OF POS.	A	B	C	D	MARKING (POS. NO.)
PCS-XE100M ()	100	72.45 (2.852)	1.27x(50-1) = 62.23 (.05) (2.45)	66.60 (2.622)	72.40 (2.850)	1, 50, 51, 100
PCS-XE68M ()	68	52.13 (2.052)	1.27x(34-1) = 41.91 (.05) (1.65)	46.28 (1.822)	52.10 (2.051)	1, 34, 35, 68
PCS-XE50M ()	50	40.70 (1.602)	1.27x(25-1) = 30.48 (.05) (1.20)	34.85 (1.372)	40.70 (1.602)	1, 25, 26, 50
PCS-XE26M ()	26	25.46 (1.002)	1.27x(13-1) = 15.24 (.05) (.60)	19.61 (.772)	25.46 (1.002)	1, 13, 14, 26

LTR.	DATE	BY	REV.	DESCRIPT	No.	PART NAME	MATERIAL	QTY	FINISH	NOTE
▲					5	CABLE COVER	PBT (GF)	2	—	UL94V-0 BLACK
					4	SUPPORTER	PBT (GF)	2	—	UL94V-0 BLACK
					3	SHELL	STEEL	1	Ni PLATING	—
▲	MAR. 28 1997	K. Y		ADD. P/N	2	INSULATOR	PBT (GF)	1	—	UL94V-0 BLACK
▲	MAR. 12 1997	A. M		CHANGE CABLE CHARACTERISTICS	1	CONTACT	PHOSPHOR BRONZE	NO. OF POS.	NOTE # 1	—

DATE	SCALE	UNIT	3RD. A. P	HONDA TSUSHIN KOGYO CO., LTD.			
JUL. 14. 1994	2 / 1	mm (INCH)					
DR.	DE.	CHK.	CHK.	APP.	NAME	PCS-XE TYPE MALE CONNECTOR (SCSI-II III)	
					PART NO.	PCS-XE () M ()	REV. 2B