

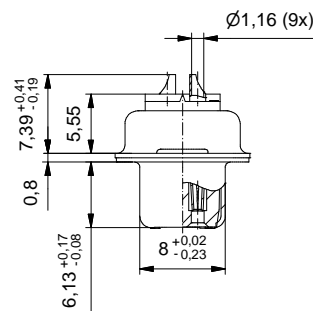
Technical specification:

Technische Daten:

Working voltage/ Betriebsspannung:	125 V AC
Insulation resistance/ Isolationswiderstand:	≥ 5 GΩ
Dielectric withstanding voltage/ Spannungsfestigkeit:	1000 V, 50 Hz, 1 min.
Solder cup accepts cable/ Lötkelch geeignet für Kabel:	max. AWG 20
Temperature range/ Temperaturbereich:	- 55 °C ... + 125 °C
Current rating/ Strombelastbarkeit:	7,5 A (UL) / 5 A (CSA, VDE)
Mating cycles/ Steckzyklen:	Quality class 1 = 500 Gütestufe 1 Quality class 2 = 200 Gütestufe 2 Quality class 3 = 50 Gütestufe 3 Quality class 4 ≥ 500 Gütestufe 4

**Materials/
Werkstoffe:**

Contact/ Kontakt:	Cu alloy, Au over Ni
Insulator/ Isolierkörper:	PBT GF UL 94 V-0
Shell/ Gehäuse:	Steel, Sn over Ni



Part no. / Part marked/ Art.-Nr. / Bedruckung:	Quality class/ Gütestufe:	Contact plating/ Kontakt Veredelung:
164J10019X	4	50 µm hard gold over min. 50 µm nickel 50 µm Gold über min. 50 µm Nickel
164A10019X	3	Gold flash over nickel Gold über Nickel
164B10019X	2	20 µm hard gold over min. 50 µm nickel 20 µm Gold über min. 50 µm Nickel
164C10019X	1	30 µm hard gold over min. 50 µm nickel 30 µm Gold über min. 50 µm Nickel

dim. in mm		D-SUB Female 9pos. solder cup D-SUB Buchsenleiste 9pol. Lötkelch											
<table border="1"> <tr> <td>Date/Datum</td> <td>Name</td> </tr> <tr> <td>26.03.2001</td> <td>Parei</td> </tr> <tr> <td>appd./gepr.</td> <td>E. Mickenbecker</td> </tr> </table>				Date/Datum	Name	26.03.2001	Parei	appd./gepr.	E. Mickenbecker	<table border="1"> <tr> <td>dwg no / Z.-nr.:</td> <td>16K1A169A</td> </tr> </table>		dwg no / Z.-nr.:	16K1A169A
Date/Datum	Name												
26.03.2001	Parei												
appd./gepr.	E. Mickenbecker												
dwg no / Z.-nr.:	16K1A169A												
<table border="1"> <tr> <td>Index: c Ä7037 08.01.2018 L.U.</td> <td>scale/Maßstab:</td> </tr> <tr> <td>Status: InBearbeitung</td> <td>2:1</td> </tr> <tr> <td>RoHS compliant/konform</td> <td></td> </tr> </table>	Index: c Ä7037 08.01.2018 L.U.	scale/Maßstab:	Status: InBearbeitung	2:1	RoHS compliant/konform				<table border="1"> <tr> <td>DIN-A3</td> </tr> <tr> <td>1 / 1</td> </tr> </table>	DIN-A3	1 / 1		
Index: c Ä7037 08.01.2018 L.U.	scale/Maßstab:												
Status: InBearbeitung	2:1												
RoHS compliant/konform													
DIN-A3													
1 / 1													

The reproduction, distribution and utilization of this document as well as the communication of its contents to others without express authorization is prohibited. Offenders will be held liable for the payment of damages. We reserve the right to withdraw advertising and notices, without notice and without obligation, at any time.