

Vertical type over-molded backshell
 PCS-XEM()DL()()N

Backshell

Vertical

SCSI-III

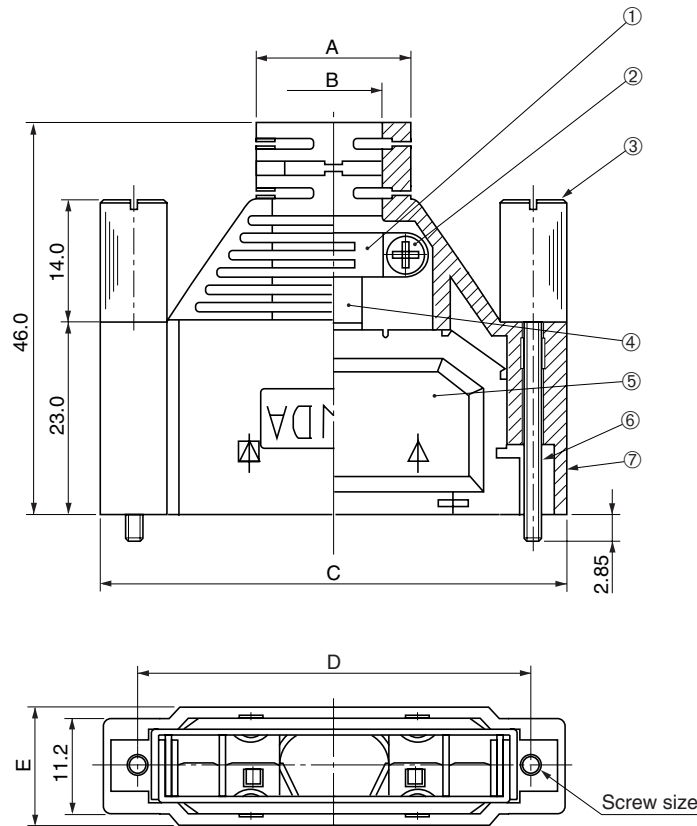


● Configuration of product Part No.

PCS-XEM () DL () () N

① ② ③ ④ ⑤ ⑥

- ① Series name
- ② No. of contacts: 50 or 68
- ③ Type of backshell
DL: Vertical type backshell
- ④ Color of hood
Blank: Black
1 : Beige
2 : Green
3 : Grey
- ⑤ Screw size
Blank: M2.5×0.45
U : #4-40UNC
U2 : #2-56UNC (standard)
- ⑥ Lock type
N: Screw lock



● Components

①	Cable clamp
②	⊕ Small-sized Phillips head screw
③	Caps
④	Seal A
⑤	Seal B
⑥	Screw lock
⑦	Hood

● Dimensions

Part No.	A	B	C	D	E	Outside diameter of cable for reference purposes
PCS-XEM50DL()()N	17.6	ø11	54.0	46.5	14.0	ø10.5
PCS-XEM68DL()()N	19.3	ø12.7	65.43	57.9	15.7	ø12.2

Because some combinations of "Configurations of Product Part No.", are under consideration for development, please contact us for availability details.

Part No.	Screw size
PCS-XEM()DL()N	M2.5×0.45
PCS-XEM()DL()UN	#4-40UNC
PCS-XEM()DL()U2N	#2-56UNC

For use with connector: PCS-E series of IDC type female connectors

PCS-XE series of IDC type male connectors for cables