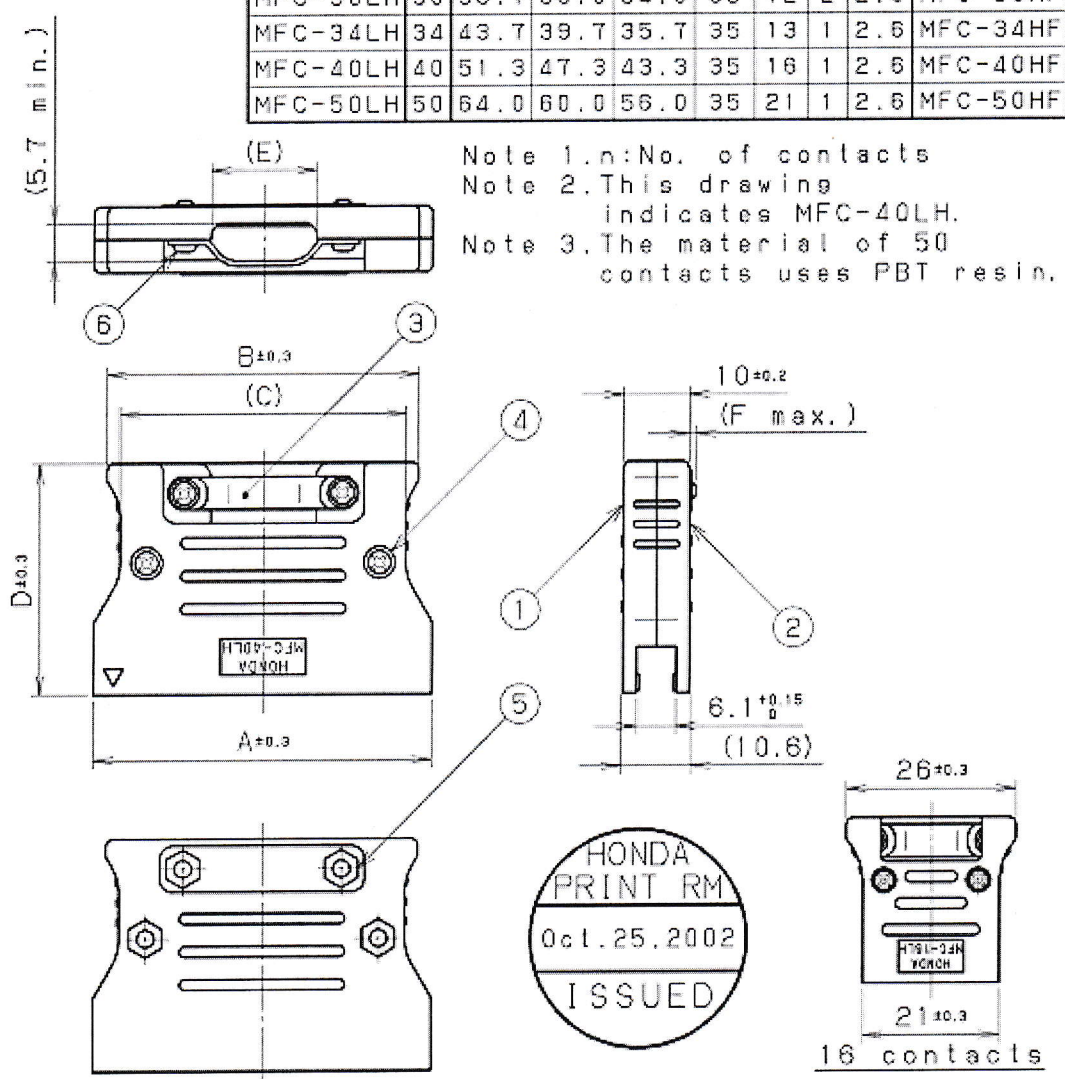


Table 1. Dimension

PART NO.	n	A $\pm 0.3$	B $\pm 0.3$	(C)	D $\pm 0.3$	(E)	F	M	For use with connector
MFC-16LH	16	see 16 contacts			25	8	1	2	MFC-16HF
MFC-20LH	20	26.0	26.0	23.0	25	9	1	2	MFC-20HF
MFC-26LH	26	33.5	33.5	29.5	30	10	1	2	MFC-26HF
MFC-30LH	30	38.7	38.0	34.0	35	12	2	2.5	MFC-30HF
MFC-34LH	34	43.7	39.7	35.7	35	13	1	2.5	MFC-34HF
MFC-40LH	40	51.3	47.3	43.3	35	16	1	2.5	MFC-40HF
MFC-50LH	50	64.0	60.0	56.0	35	21	1	2.5	MFC-50HF



Note 1. n: No. of contacts  
 Note 2. This drawing indicates MFC-40LH.  
 Note 3. The material of 50 contacts uses PBT resin.

Callout	Description	Material	Qty	Finish	Note
6	Cross recessed head screws with captive washer	Steel	2	Nickel	M <sub>3</sub> x 7 see table 1
5	Hexagon nuts	Steel	4	Nickel	M <sub>3</sub> see table 1
4	Cross recessed head screws	Steel	2	Nickel	M <sub>3</sub> x 8 see table 1
3	Cable Clamp	Stainless steel	1		
2	Cover B	ABS resin see note 3	1		ULB4V-0 Black
1	Cover A	ABS resin see note 3	1		ULB4V-0 Black

LTR.	DATE	BY	REV.	DESCRIPT	No.	PART NAME	MATERIAL	QTY	FINISH	NOTE
	DATE		SCALE	UNIT	3RD. A. P	HONDA TSUSHIN KOGYO CO., LTD.				
	Oct. 24, 2002		1/1	mm (INCH)						
	APP. DATE & REV.									
DR.	DE.	CHK.	CHK.	APP.	NAME	MFC-(n) HF TYPE COVER				
K. ODAKU	K. ODAKU	K. ONO	—	H. EBIHARA	PART NO.	MFC-(n) LH				