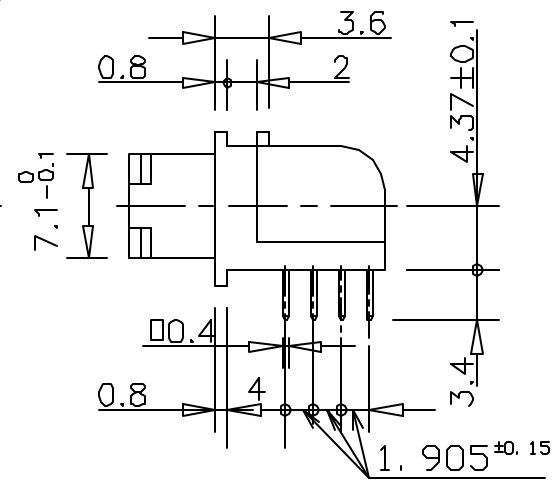
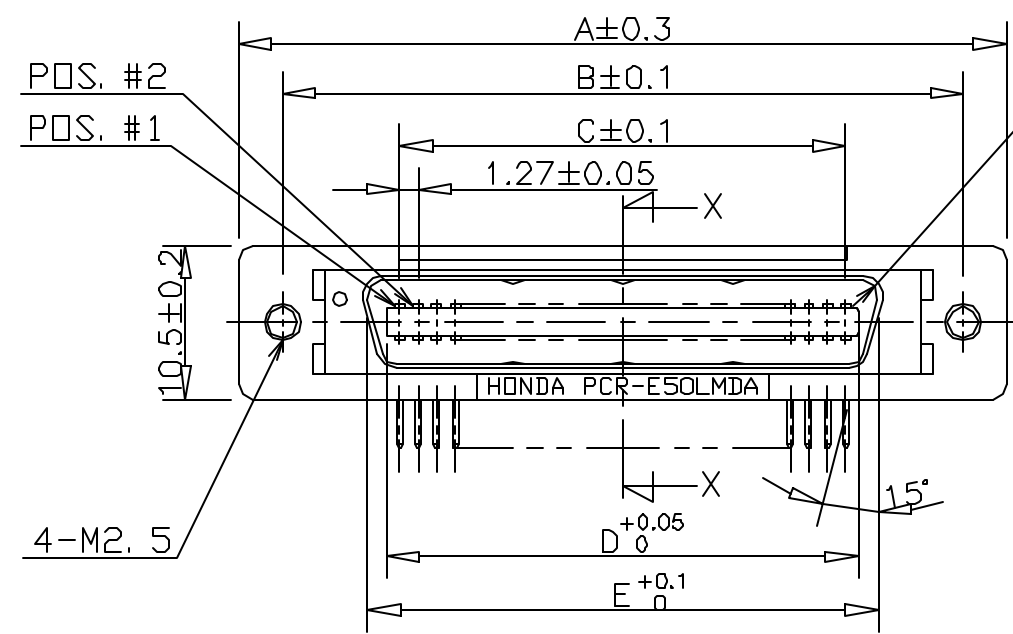
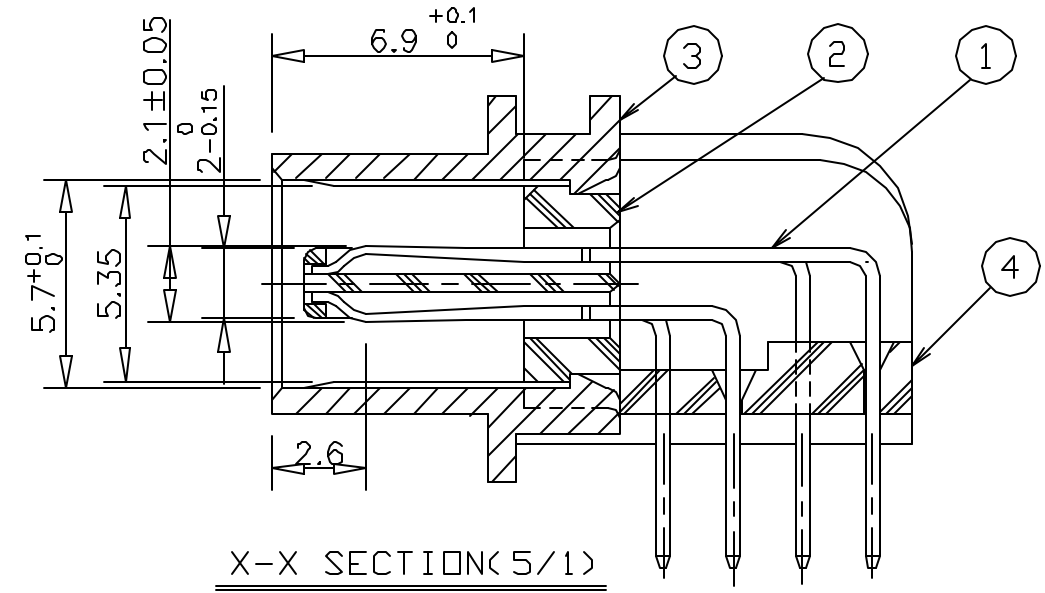
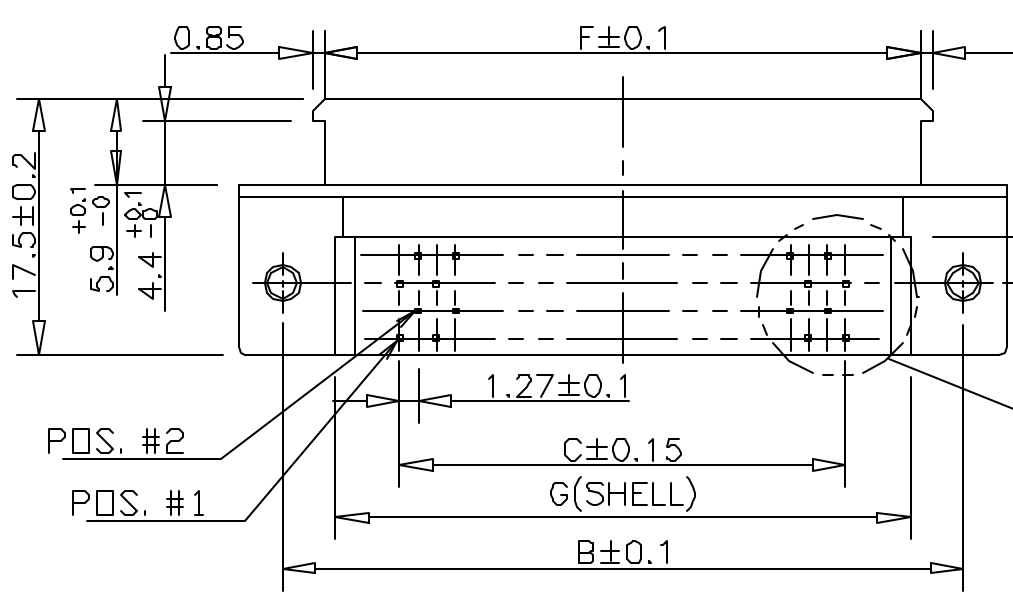
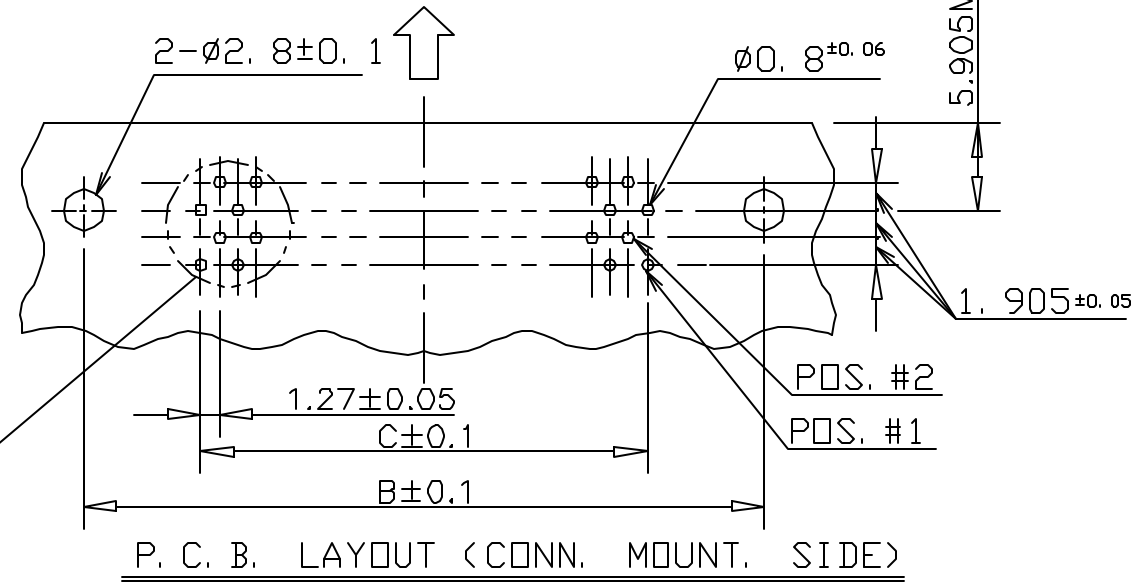


NOTE 1. CONTACT PLATING  
CONTACT AREA: GOLD 0.2μm MIN.  
TERMINATION AREA: TIN LEAD  
ALL OVER NICKEL PLATING

HONDA  
PRINT RM  
MAR. 23. 2000  
ISSUED



MATING DIRECTION



20, 28, 36  
68, 96POS.

20, 28, 36  
68, 96POS.

96	PCR-E96LMDA	81.66	75.66	1.27×47=59.69	61.46	64.71	69.86	58.33
68	PCR-E68LMDA	63.88	57.88	1.27×33=41.91	43.68	46.93	52.08	50.71
50	PCR-E50LMDA	52.45	46.45	1.27×24=30.48	32.25	35.50	40.65	39.28
36	PCR-E36LMDA	43.56	37.56	1.27×17=21.59	23.36	26.61	31.76	30.39
28	PCR-E28LMDA	38.48	32.48	1.27×13=16.51	18.28	21.53	26.68	25.31
20	PCR-E20LMDA	33.40	27.40	1.27×9=11.43	13.20	16.45	21.60	20.23
Nb. of	PART NO.	A	B	C	D	E	F	G

4	BRACKET	PBT(GF)	1	—	UL94V-0 BLACK					
3	SHELL	ZINC DIE CASTING	1	Cu+Ni	—					
2	INSULATOR	PBT(GF)	1	—	UL94V-0 BLACK					
1	CONTACT	PHOSPHOR BRONZE	No. of POS.	SEE NOTE 1	—					
LTR.	DATE	BY	REV.	DESCRIPT	NO.	PART NAME	MATERIAL	QTY	FINISH	NOTE

DATE	SCALE	UNIT	3RD . A . P	HONDA TSUSHIN KOGYO., LTD.	
FEB. 16 (1996)	2 / 1	mm(INCH)		DR.	IE.
				CHK.	CHK.
				APP.	NAME
					1.27mm SPACING PCR-E TYPE R/A DIP MALE CONNECTOR
					PART NO. PCR-E( )LMDA

PCR-E(LMDA) E