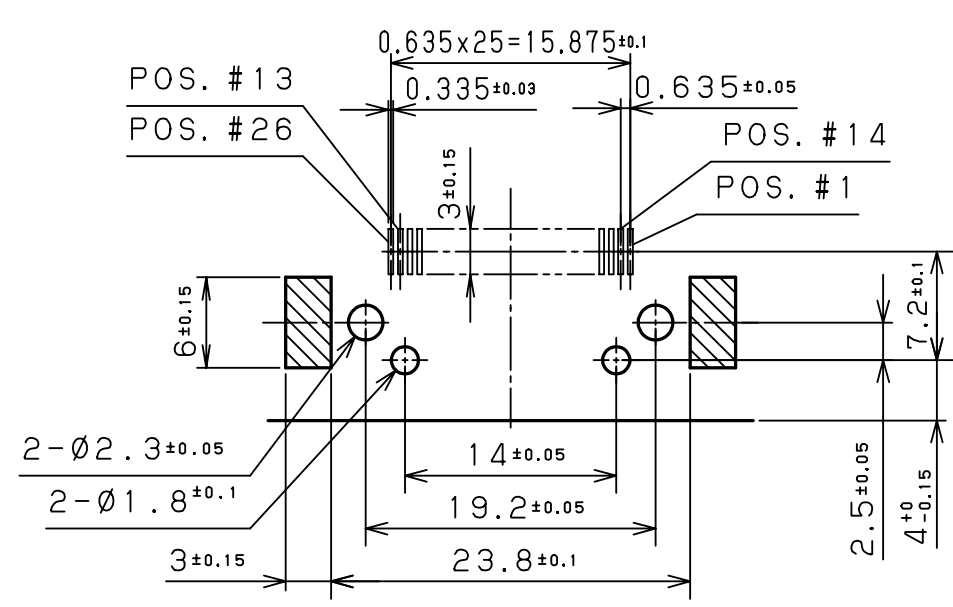
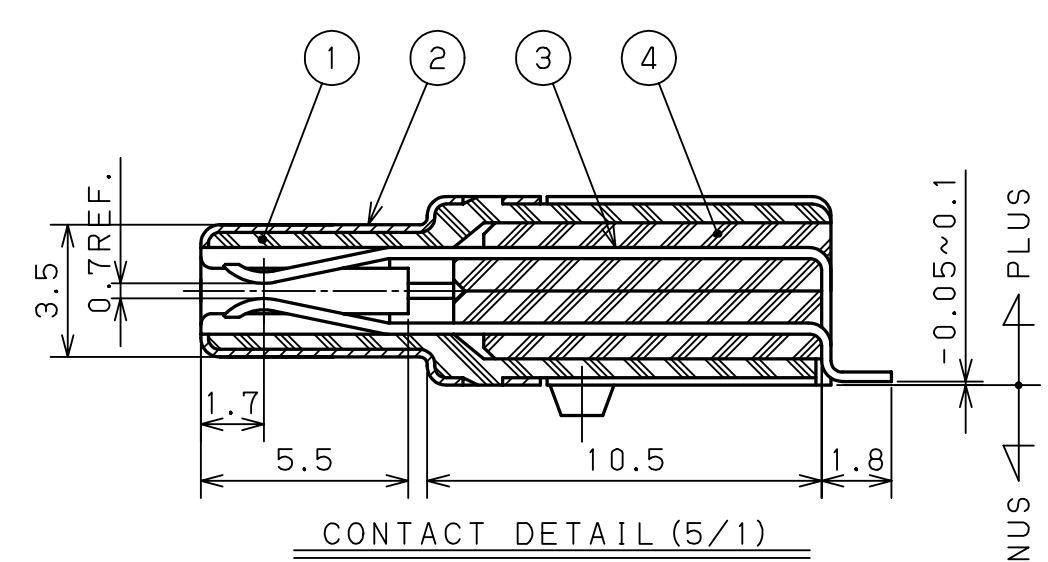
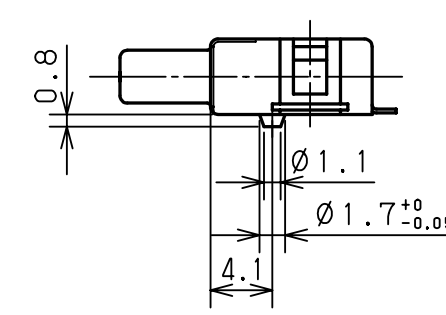
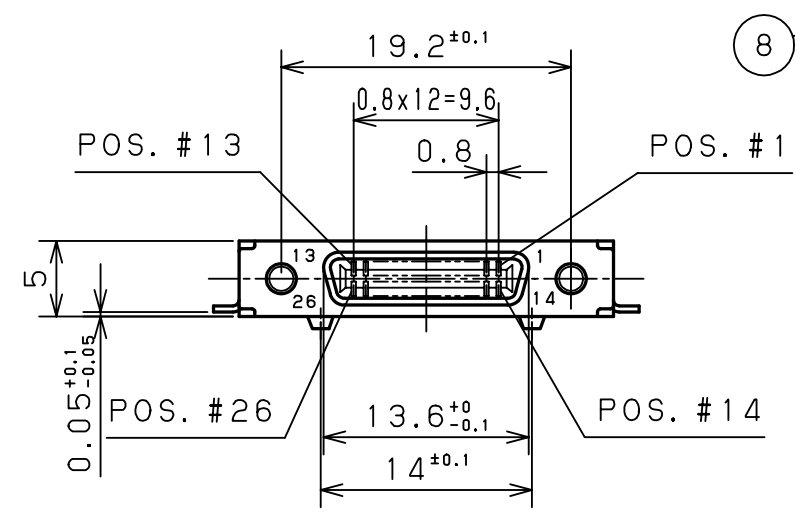
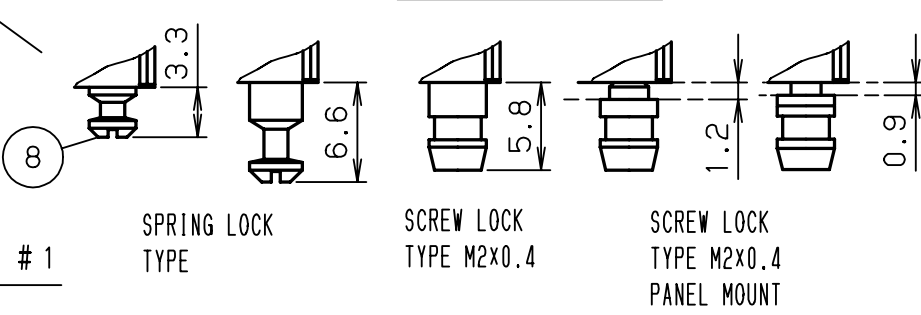


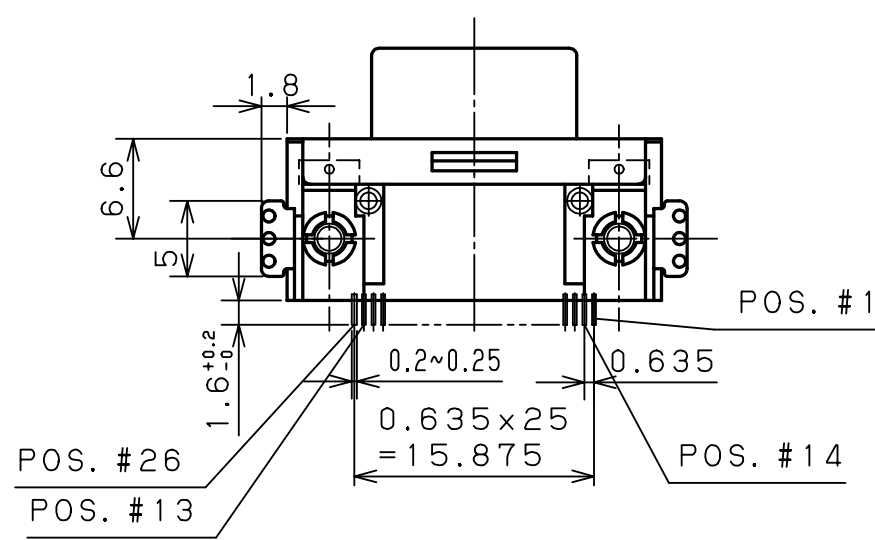
| PART No.            | TYPE                   | NOTE         |
|---------------------|------------------------|--------------|
| HDR-EA26LFYPG1+     |                        |              |
| HDR-EA26LFYPG1-SLD+ | SCREW LOCK TYPE        |              |
| HDR-EA26LFYPG1-SLE+ | SPRING LOCK TYPE (6.6) |              |
| HDR-EA26LFYPG1-SLF+ | SCREW LOCK (PANEL 0.9) | SEE NOTE. #4 |
| HDR-EA26LFYPG1-SLG+ | SCREW LOCK (PANEL 1.2) | SEE NOTE. #4 |
| HDR-EA26LFYPG1-SLK+ | SPRING LOCK TYPE (3.3) |              |

LOCK SCREWS



RECOMMENDED P. C. B. LAYOUT

|   |             |                 |    |                |                     |
|---|-------------|-----------------|----|----------------|---------------------|
| 8 | LOCK SCREW  | STEEL           | 2  | NICKEL PLATING | M2x0.4              |
| 7 | HEX. NUT    | BRASS           | 2  | NICKEL PLATING | M2x0.4              |
| 6 | EARTH PLATE | PHOSPHOR BRONZE | 2  | NICKEL PLATING |                     |
| 5 | SQR. NUT    | BRASS           | 2  | NICKEL PLATING | M2x0.4              |
| 4 | INSULATOR B | PPS (GF)        | 1  |                | UL94V-0 BLACK COLOR |
| 3 | CONTACT     | PHOSPHOR BRONZE | 26 | SEE NOTE #2    |                     |
| 2 | SHELL       | STEEL           | 1  | NICKEL PLATING |                     |
| 1 | INSULATOR A | LCP (GF)        | 1  |                | UL94V-0 BLACK COLOR |



- SPECIFICATION  
RATED CURRENT 0.5A  
RATED VOLTAGE 125V AC (r. m. s.)
- CONTACT PLATING  
MATING AREA: 0.76 MICRO METERS MINIMUM GOLD PLATING  
TERMINATION AREA: 0.05 MICRO METERS MINIMUM GOLD PLATING  
UNDERPLATING: NICKEL PLATING
- MATING CONNECTOR  
HDR-E26MAG1+
- TWO LOCK SCREWS (ITEM#8) ARE SUPPLIED WITH CONNECTOR.

| LTR. | DATE             | BY      | REV. | DESCRIPT    | No.        | PART NAME | MATERIAL   | QTY  | FINISH    | NOTE                          |
|------|------------------|---------|------|-------------|------------|-----------|--|------|-----------|-------------------------------|
|      | DATE             |         |      | SCALE       |            | UNIT      |  |      |           |                               |
|      | May. 18. 2004    |         |      | 2 / 1       |            | mm (INCH) |  |      | 3RD. A. P | HONDA TSUSHIN KOGYO CO., LTD. |
|      | APP. DATE & REV. |         |      |             |            |           |  |      |           |                               |
|      | DR.              | DE.     | CHK. | CHK.        | APP.       | NAME      | 0.8mm SPACING 26POS. RIGHTANGLE FEMALE CONNECTOR |      |           |                               |
|      | Y. KATO          | Y. KATO |      | C. NUJOKAWA | H. EBIHARA | PART NO.  | HDR-EA26LFYPG1-( )+                              | REV. | 1A        |                               |