

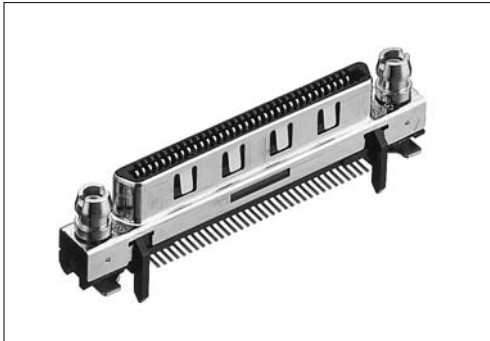
Straight SMT type female connector for PCB
HDRA-E68FYT-()+

For PCB

Straight SMT

RoHS

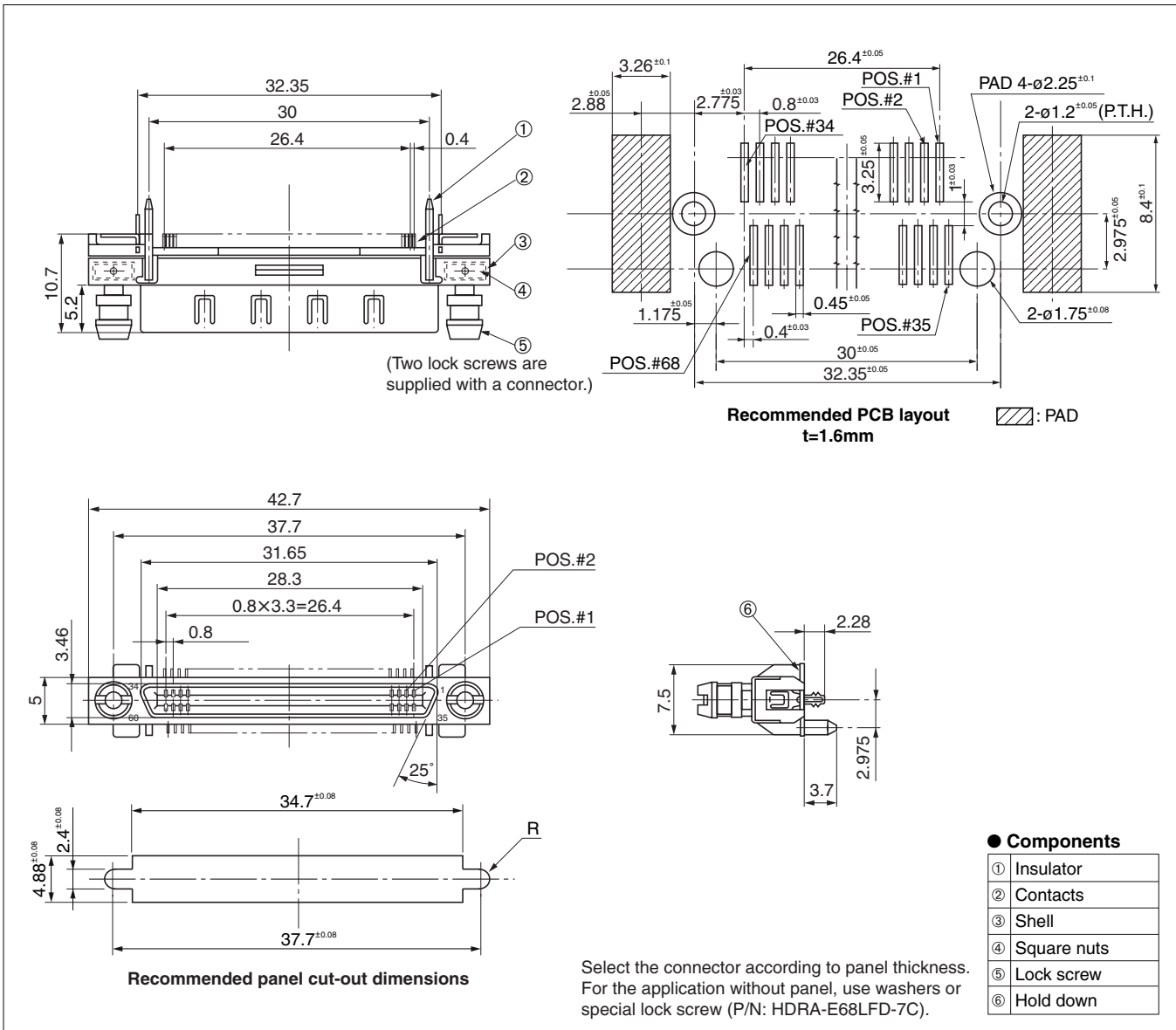
ANSI/SFF8441



● Configuration of product Part No.

HDRA- E 68 FY T- ()+

- ① Series name
- ② No. of contacts: 68
- ③ Type of contact
FY: Straight SMT type, female
- ④ Provided with board lock mechanism
- ⑤ Lock screw
Blank: None
SL : Provided
(Thickness of panel: 1.12 mm)



Mating connector: HDRA series IDC type male cable connector, or straddle SMT type male connector