

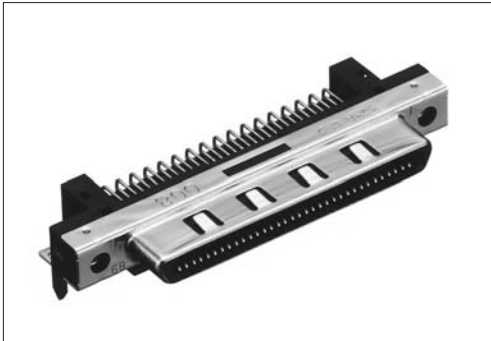
Right-angle through hole type female connector for PCB  
 HDRA-EC68LFD T ( )-( )+

For PCB

Right-angle Through hole

RoHS

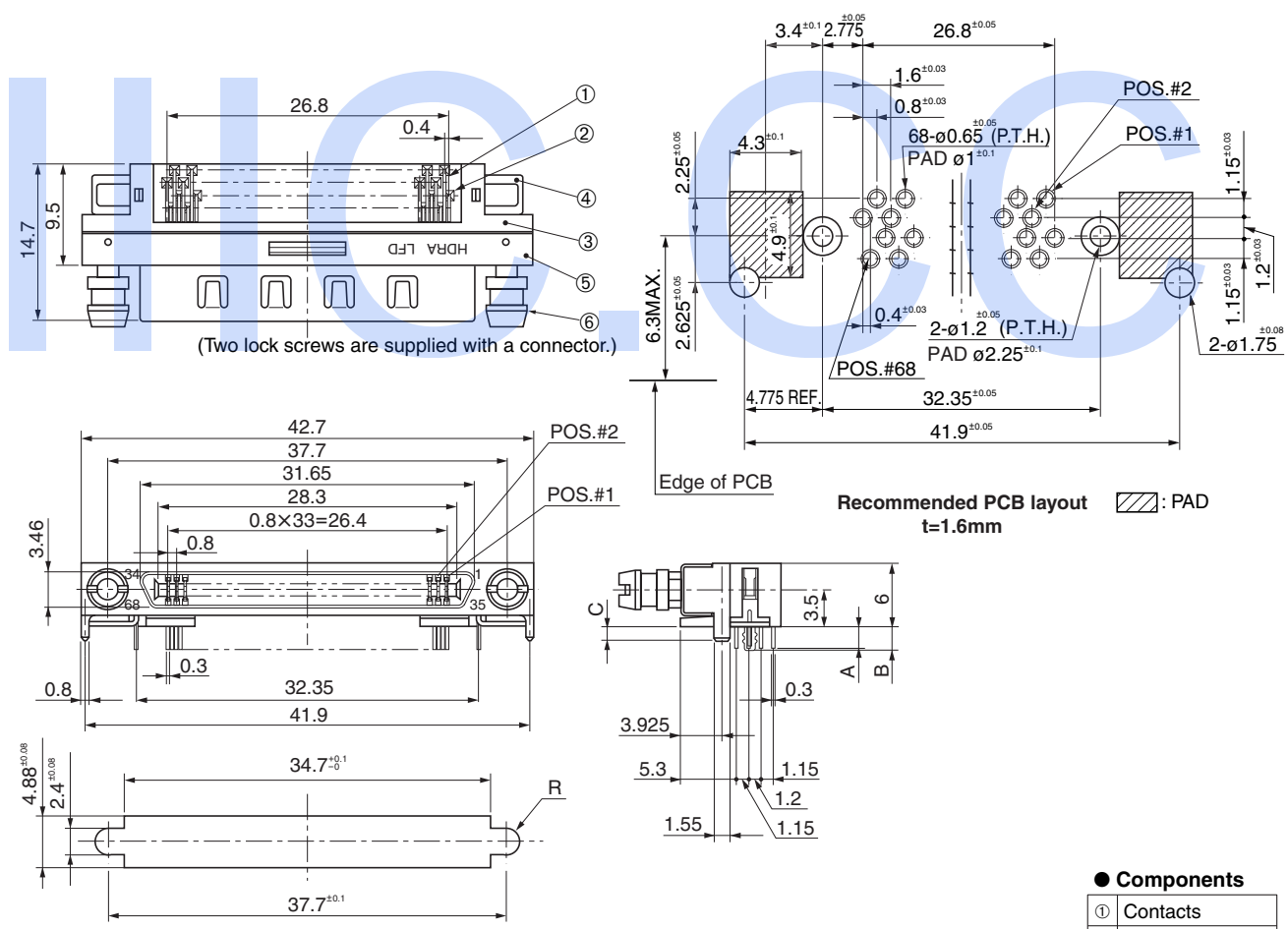
ANSI/SFF8441



● Configuration of product Part No.

HDRA- EC 68 LFD T ( )-( )+

- |  |   |
|--|---|
| ① Series name  | S : A-2.08 mm contacts                      |
| ② No. of contacts: 68                                | B-2.28 mm board lock pins                   |
| ③ Type of contact                                    | C-2.3 mm location peg                       |
| LFD: Right-angle through hole type, female           | 2 : A-2.08 mm contacts                      |
| ④ With board lock pin                                | B-2.28 mm board lock pins                   |
| ⑤ Length of contact, board lock pins or location peg | C-1.4 mm location peg                       |
| Blank: A-2.08 mm contacts                            | ⑥ Lock screws                               |
| : B-2.28 mm board lock pins                          | Blank : None                                |
| : C-3.7 mm location peg                              | SL : provided (Thickness of panel: 1.12 mm) |



● Components

①	Contacts
②	Brackets
③	Insulator
④	Hold downs
⑤	Shell
⑥	Lock screws

Select the connector according to panel thickness.  
 For the application without panel, use washers or special lock screw (P/N: HDRA-E68LFD-7C).

Mating connector: HDRA series IDC type male cable connector, or straddle SMT type male connector