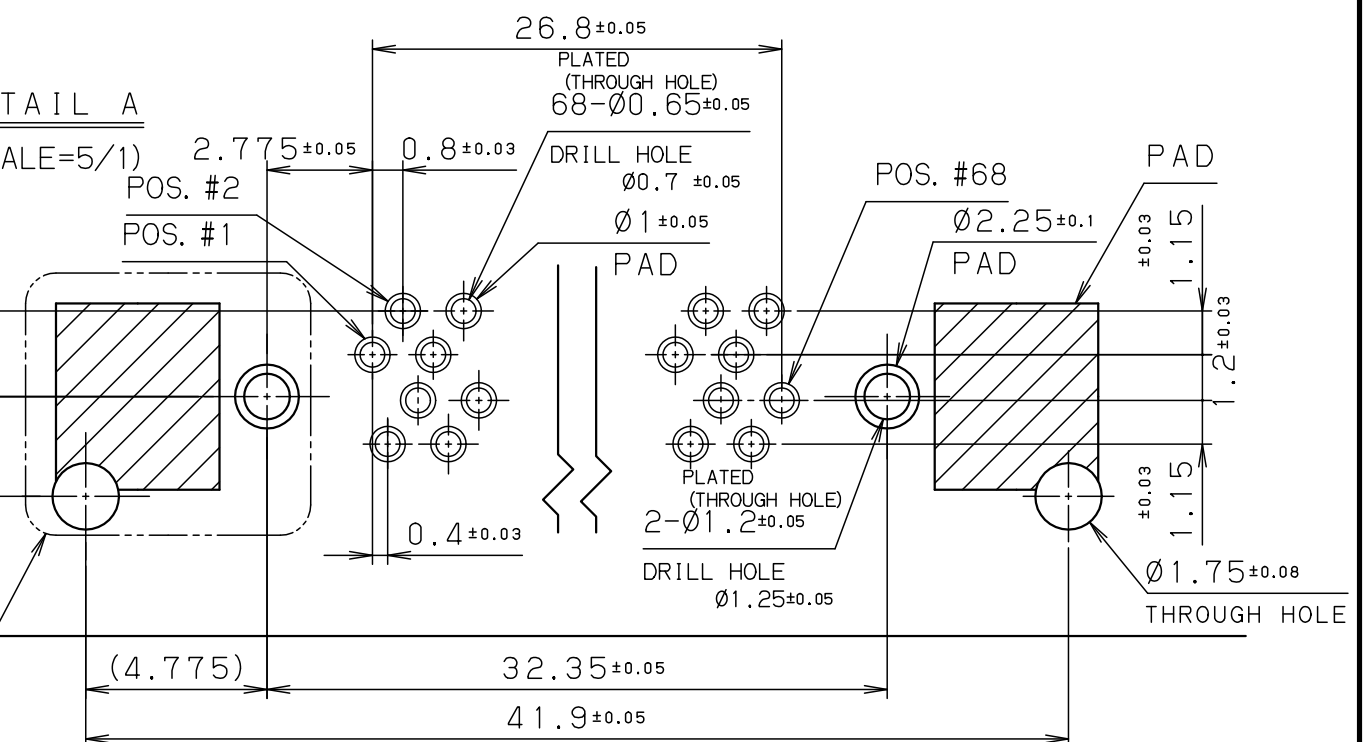
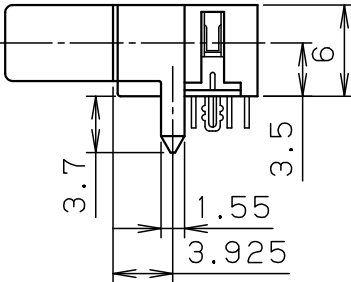
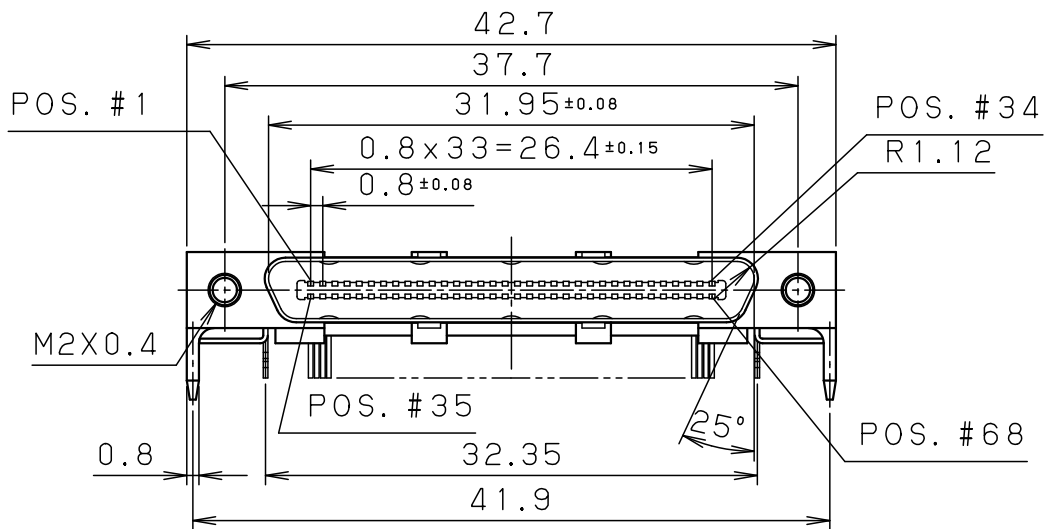


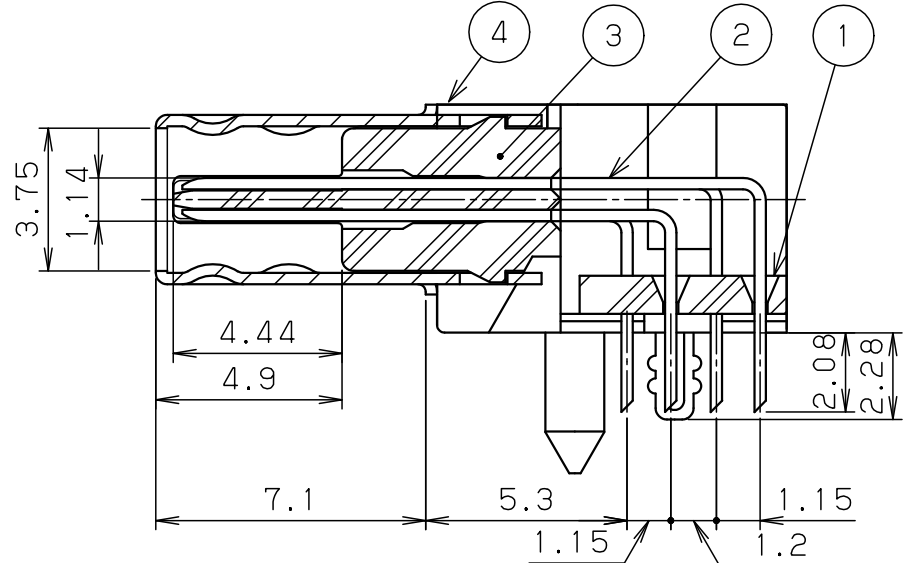
DETAIL A
(SCALE=5/1)



RECOMMENDED P.C.B. LAYOUT
(MOUNT SIDE VIEW)
(SCALE=5/1)



NOTE 1. CONTACT PLATING
CONTACT AREA: GOLD 0.76μm MIN.
TERMINAL AREA: GOLD 0.05μm
ALL OVER NICKEL UNDERPLATED.



CONTACT DETALE (5/1)

5	HOLD DOWN	PHOSPHOR BRONZE	2	NICKEL PLATING	
4	SHELL	STEEL	1	NICKEL PLATING	
3	INSULATOR	PA9T	1		UL94V-0 BLACK
2	CONTACT	PHOSPHOR BRONZE	68	SEE NOTE 1	
1	BRACKET	PPS	1		UL94V-0 BLACK

LTR.	DATE	BY	REV.	DESCRIPT	No.	PART NAME	MATERIAL	QTY	FINISH	NOTE
	DATE			SCALE		UNIT				
	Dec.9.2005			2 / 1		mm (INCH)			3RD. A. P	
APP. DATE&REV.							HTK HONDA TSUSHIN KOGYO CO., LTD.			
DR.	DE.	CHK.	CHK.	APP.	NAME		0.8mm SPACING 68POS. R/A MALE CONNECTOR			
Y. KATO	Y. KATO			H. EBIHARA	PART NO.		HDRA-EC68LMDT+ REV. A			