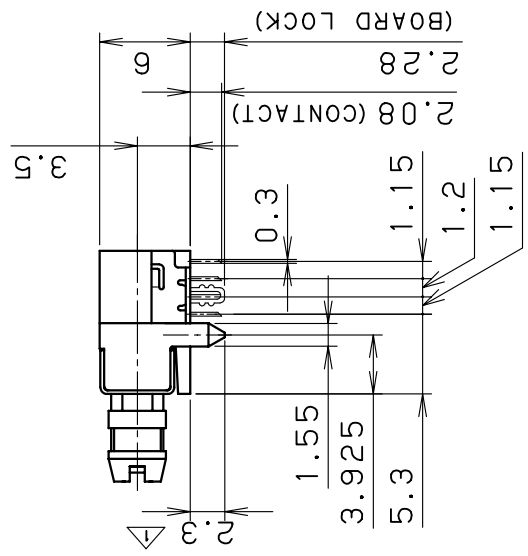
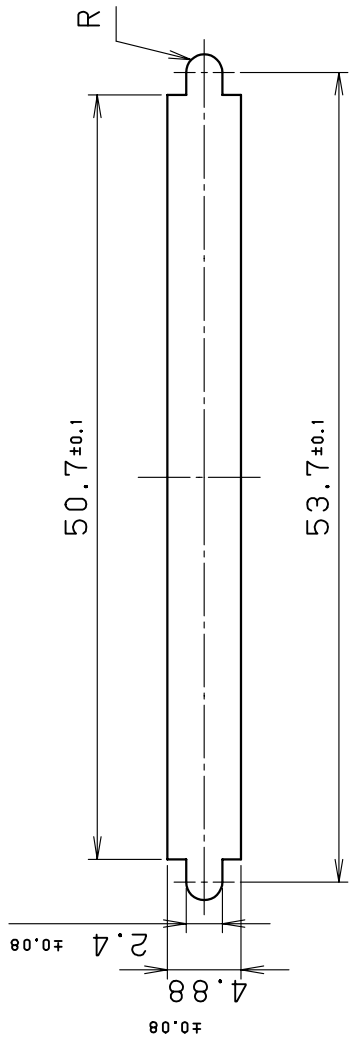


RECOMMENDED P.C.B. LAYOUT  
(MOUNT SIDE VIEW)  
(SCALE=3/1)



DETAIL A  
(SCALE=5/1)



RECOMMENDED  
PANEL CUT-OUT DIMENSIONS  
(t=1.12±0.08)

HONDA  
PRINT RM  
APR.27.2001  
ISSUED

LTR.	DATE	BY	REV. DESCRIPT	No.	PART NAME	MATERIAL	QTY	FINISH	NOTE
△	SEP.12.2000	Y. K	CHANGE DIM. ADD NOTE#2	1	BRACKET	PPS	1		UL94V-0 BLACK
△				2	CONTACT	PHOSPHOR BRONZE	100	SEE NOTE 1	
				3	INSULATOR	PPS	1		UL94V-0 BLACK
				4	SHELL	STEEL	1	NICKEL PLATING	
				5	SQR. NUT	BRASS	2	NICKEL PLATING	M2x0.4
				6	HOLD DOWN	PHOSPHOR BRONZE	2	NICKEL PLATING	
				7	LOCK SCREW	STEEL	2	NICKEL PLATING	M2x0.4

DATE	SCALE	UNIT	3RD. A. P	
SEP.30.1998	2 / 1	mm (INCH)		
DR.	DE.	CHK.	CHK.	APP.

REV.	PART NO.	NAME
1A	HDRA-E100LFDT-SL	0.8mm SPACING 100POS. R/A FEMALE CONNECTOR

HONDA TSUSHIN KOGYO CO., LTD.

NOTE #1. CONTACT PLATING  
CONTACT AREA: Pd/Ni0.5µm+GOLD0.1µmMIN.  
TERMINAL AREA: TIN/LEAD2.6~5µm  
ALL OVER NICKEL PLATED.  
△ #2. TWO LOCK SCREWS (ITEM#7) ARE SUPPLIED WITH A CONNECTOR.