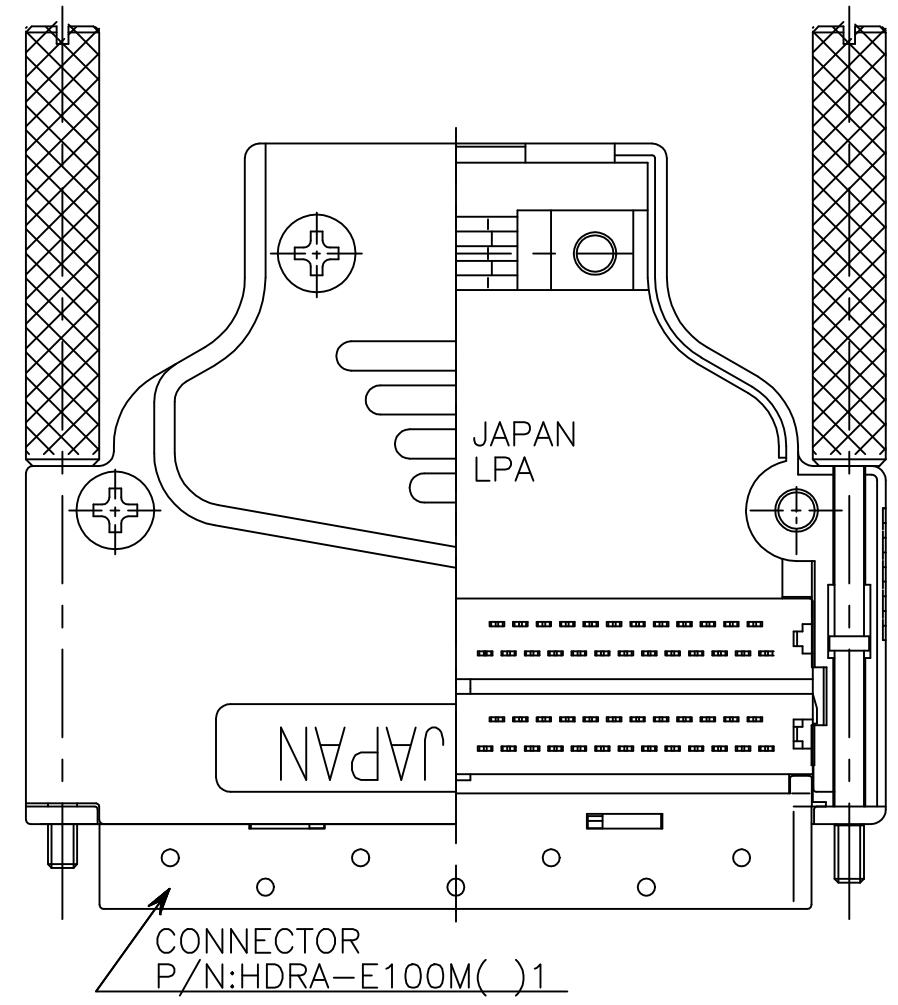
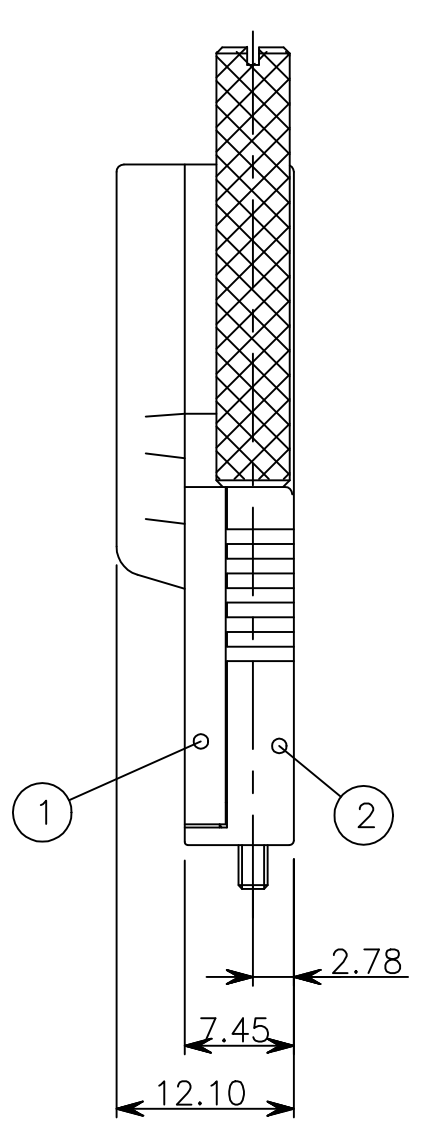
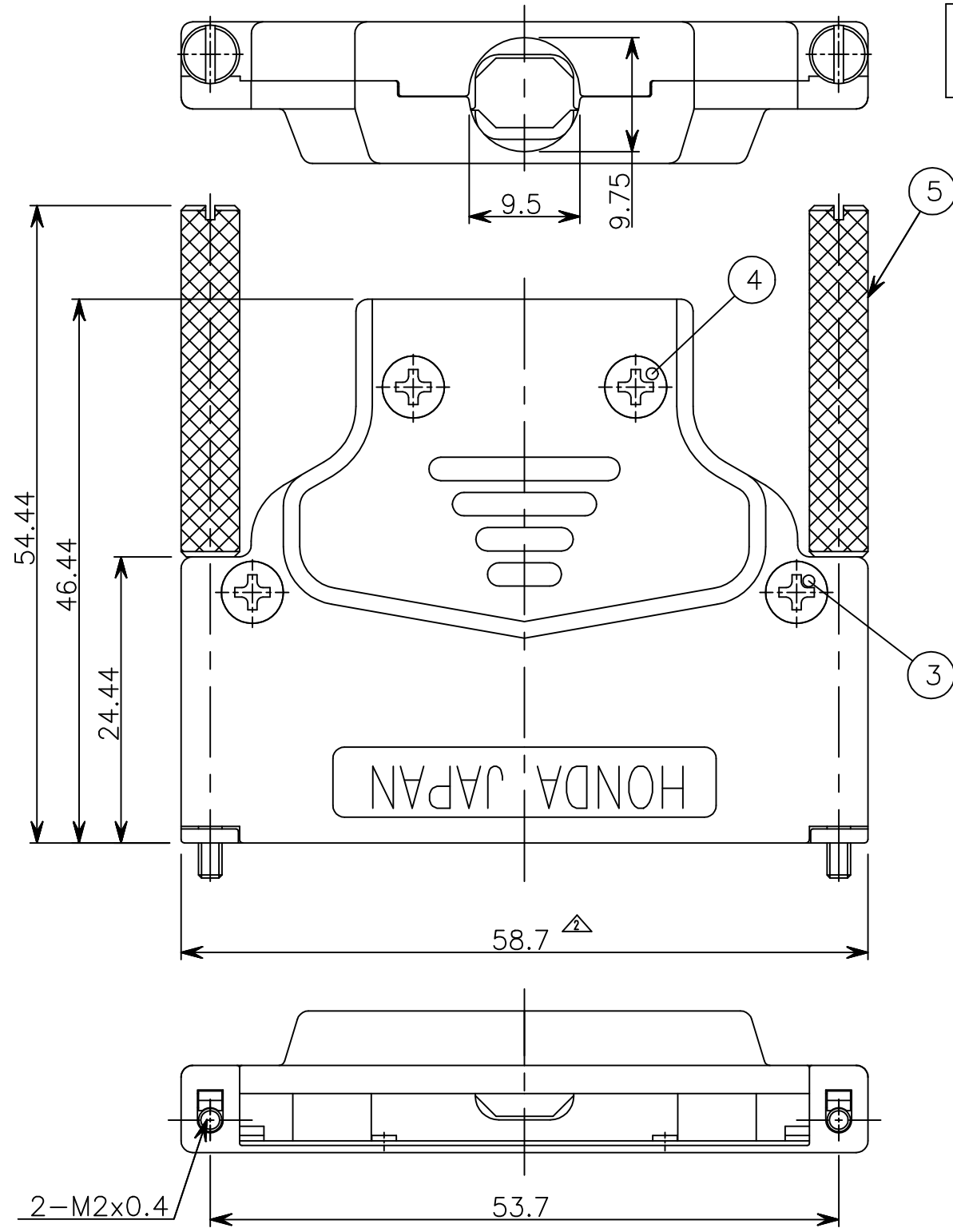


PROPOSAL DRAWING ONLY

UMHOTRONICS, INC.
 PROPRIETARY INFORMATION



△ DRAWING AFTER CONNECTOR ASSEMBLY

△ NOTE #1. APPLICABLE CONNECTOR: HDRA-E100M)1
 #2. APPLICABLE CABLE DIA.: ø8.9

HONDA
 PRINT RM
 JUL.28.1999
 ISSUED

5	LOCK SCREW	STEEL	2	Ni PLATING	
4	⊕FLAT HEAD SCREW	STEEL	2		M2.5x0.45 L=10
3	⊕FLAT HEAD SCREW	STEEL	2		M2.5x0.45 L=5

LTR.	DATE	BY	REV.	DESCRIPT	NO.	PART NAME	MATERIAL	QTY	FINISH	NOTE
△	JUL.28.1999	K.K		ADDED NOTES ADDED DIMENSION		COVER B	ZINC ALLOY	1	Ni PLATING	
△	JUL.23.1999	Y.K		REVISED		COVER A	ZINC ALLOY	1	Ni PLATING	

DATE	SCALE	UNIT	3RD . A . P	HONDA TSUSHIN KOGYO., LTD.			
MAY.14.1999	2 / 1	mm(INCH)		DR	DE	CHK	
				CHK	APP.	NAME	HDRA-E TYPE CABLE COVER
				PART NO.		HDRA-E100LPA	REV. 2B

'HDRA-E100LPA' 'EB'